

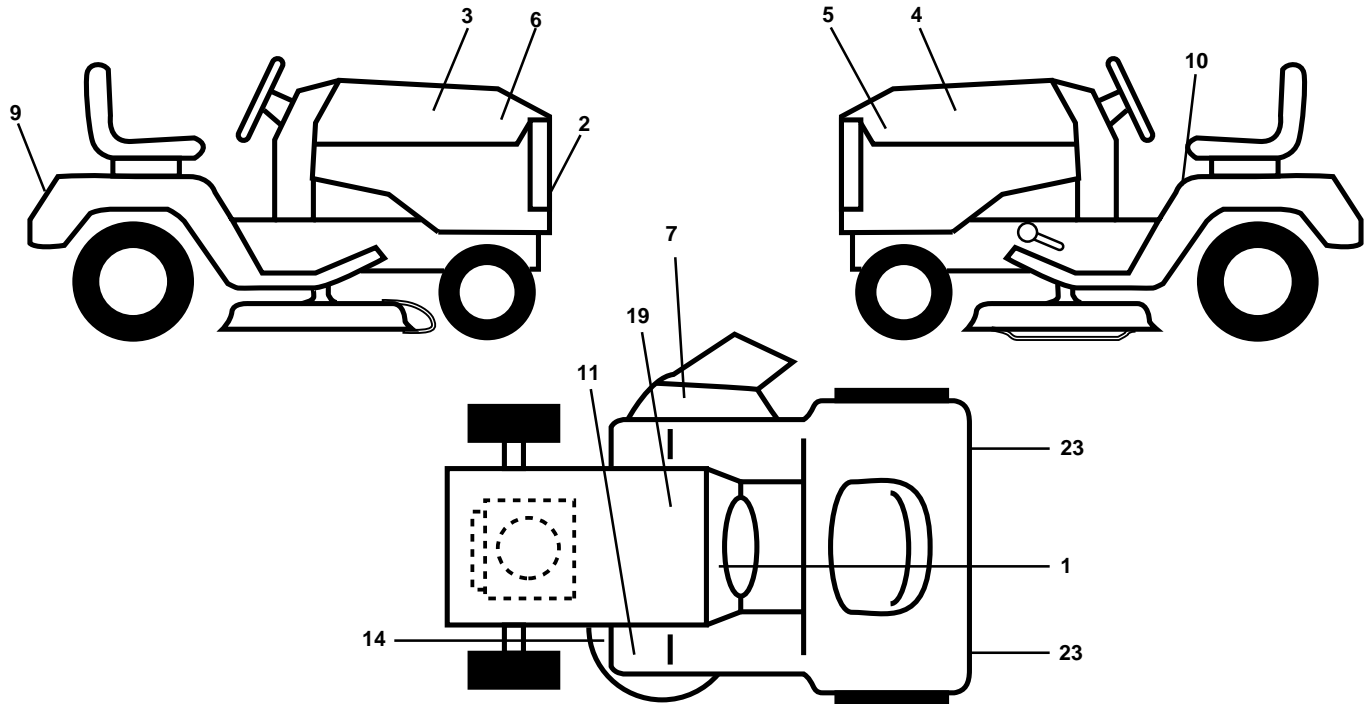
IPL-GT200

954 00 20-12A

REPAIR PARTS

TRACTOR - MODEL NUMBER GT200 (954002012A)

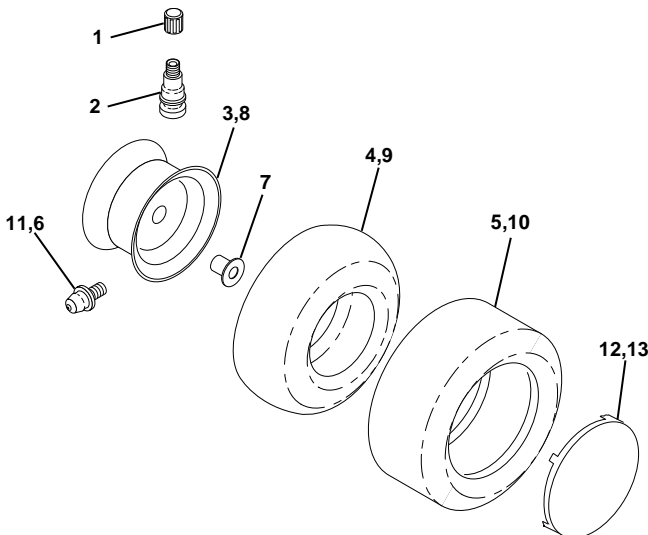
DECALS



| KEY NO. | PART NO. | DESCRIPTION |
|---------|-----------|----------------------------------|
| 1 | 532138956 | Decal, Operating Instruction |
| 2 | 532125989 | Decal, Grille Husqvarna "H" Logo |
| 3 | 532140728 | Decal, Hood, RH |
| 4 | 532140729 | Decal, Hood, LH |
| 5 | 532140856 | Decal, Insert Hood LH GT200 6Sp |
| 6 | 532140857 | Decal, Insert Hood RH GT200 6Sp |
| 7 | 532137259 | Decal, Warning Multi-Language |
| 9 | 532131582 | Decal, Fender |
| 10 | 532133795 | Decal, Caution |
| 11 | 532101892 | Decal, Clutch/Brake |
| 14 | 532139346 | Decal, V-Belt Schematic |
| 19 | 532145005 | Decal, Battery |

| KEY NO. | PART NO. | DESCRIPTION |
|--|-----------|--|
| 23 | 532106202 | Reflector, Taillight |
| -- | 532150187 | Manual, Owner's (English) |
| -- | 532150188 | Manual, Owner's (French) |
| -- | 532138311 | Decal, Handle Lift Height Adjust (Lift Handle) |
| -- | 532145246 | Pad Footrest Rbr Sq Generic 95 |
| -- | 532145247 | Fastener Pop-In Footrest (8 per) |
| Accessories not included with tractor: | | |
| -- | SH10 | Sleeve Hitch |
| -- | TA128 | Tire Chains |
| -- | GBD48 | 48" Snow Blade |
| -- | TA321 | #55 Wheel Weights |
| -- | EA20 | Electric Assist Kit |
| -- | GSB42 | 42" Snow Blower |

WHEELS & TIRES



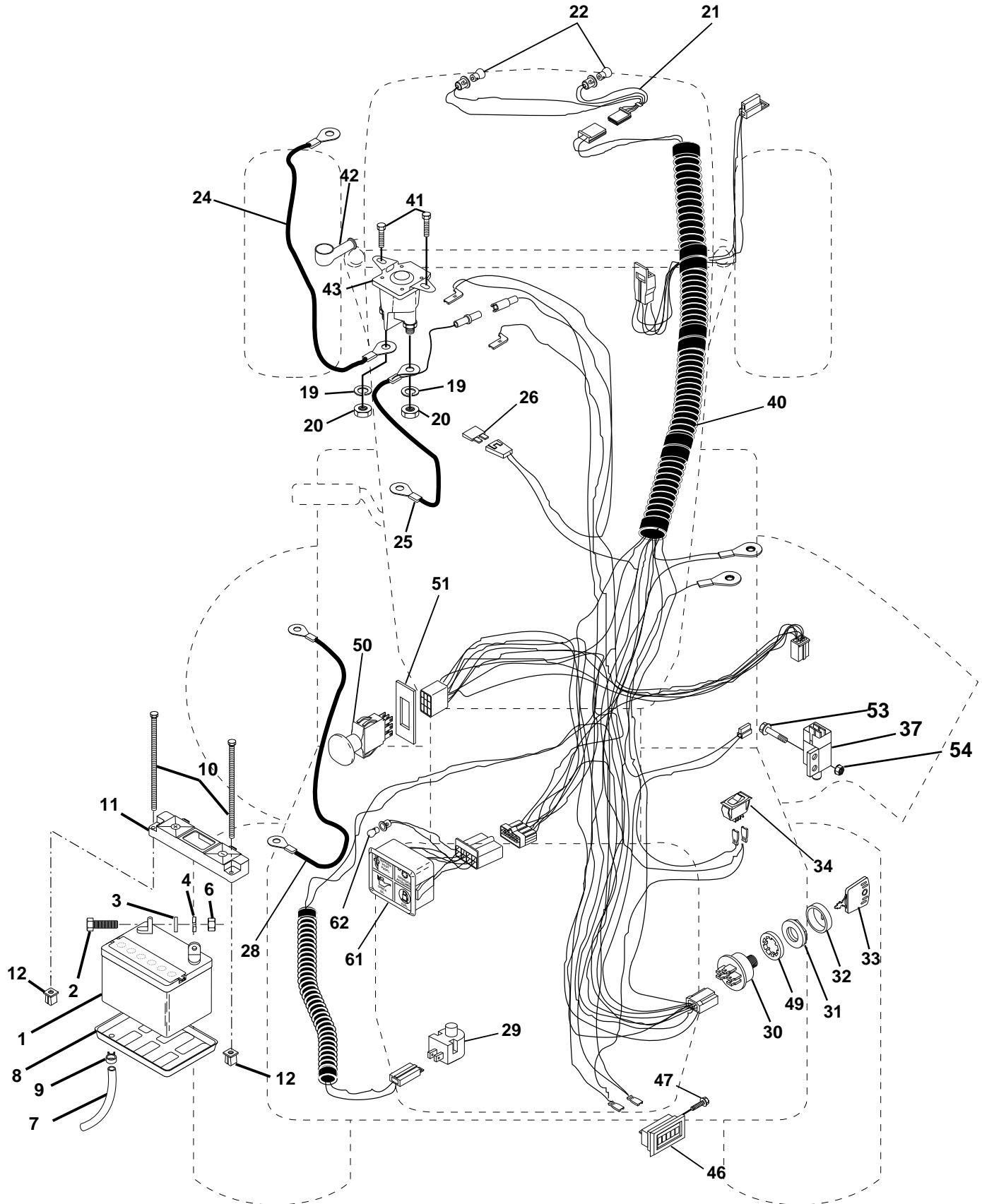
| KEY NO. | PART NO. | DESCRIPTION |
|---------|-----------|------------------------------------|
| 1 | 532059192 | Cap, Valve, Tire |
| 2 | 532065139 | Stem, Valve |
| 3 | 532141624 | Rim Assembly, Front |
| 4 | 532008134 | Tube, Front (Service Item Only) |
| 5 | 532106230 | Tire, Front |
| 6 | 532124957 | Fitting, Grease |
| 7 | 532124959 | Bearing, Flange (Front Wheel Only) |
| 8 | 532141625 | Rim Assembly, Rear |
| 9 | 532007154 | Tube, Rear (Service Item Only) |
| 10 | 532105588 | Tire, Rear |
| 11 | 532124860 | Fitting, Grease |
| 12 | 532124578 | Cover Wheel 8" White |
| 13 | 532124579 | Cover, Wheel 12" White |
| -- | 532144344 | Sealant, Tire (10 oz. Tube) |

NOTE: All component dimensions given in U.S. inches
1 inch = 25.4 mm

REPAIR PARTS

TRACTOR - MODEL NUMBER GT200 (954002012A)

ELECTRICAL



REPAIR PARTS

TRACTOR - MODEL NUMBER GT200 (954002012A)

ELECTRICAL

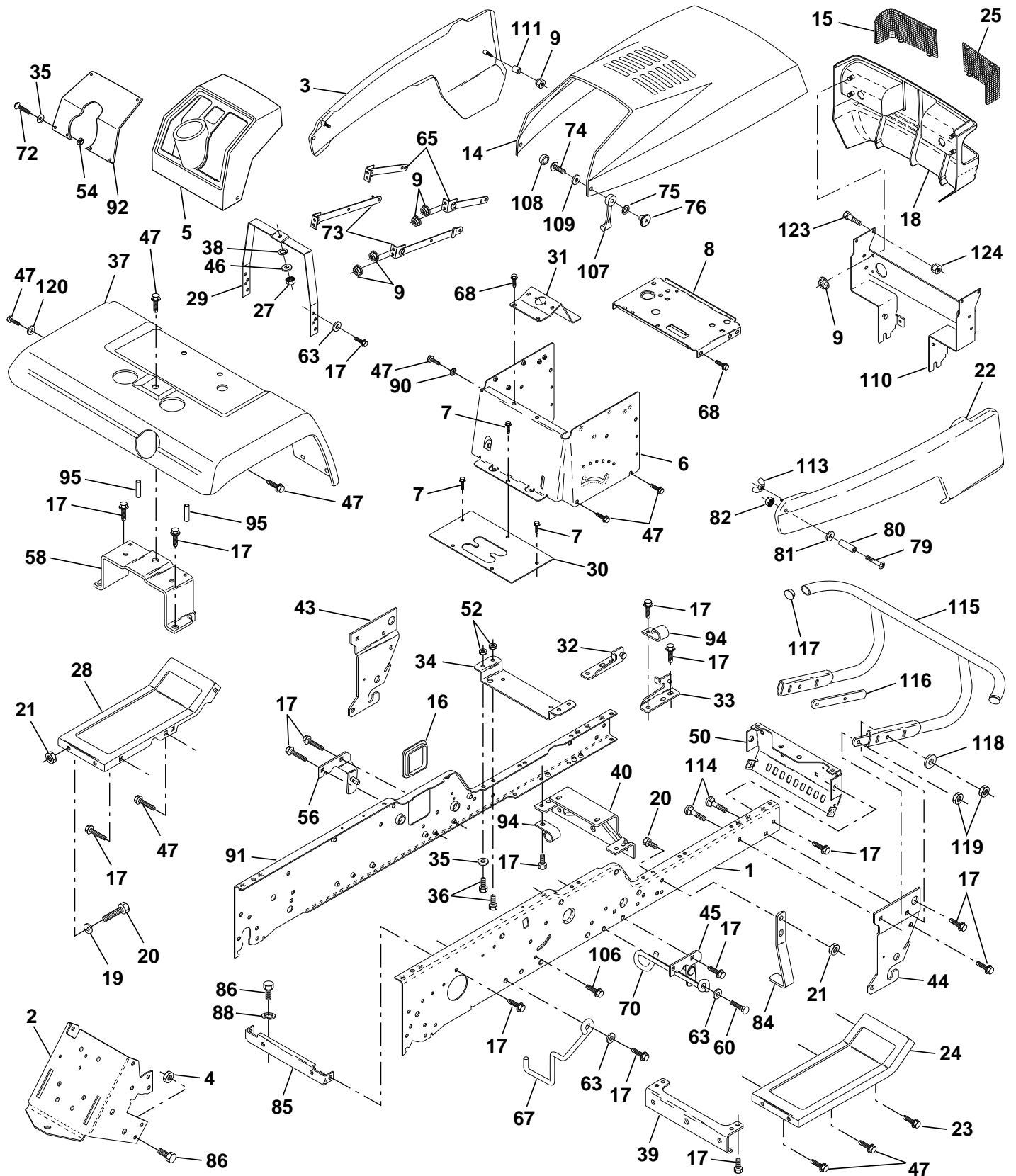
| KEY NO. | PART NO. | DESCRIPTION |
|---------|-----------|--|
| 1 | 532144927 | Battery |
| 2 | 874760412 | Bolt Hex Head 1/4-20 x 3/4 |
| 3 | 810040400 | Washer, Lock 1/4 |
| 4 | 819091016 | Washer 9/32 x 5/8 x 16 Ga |
| 6 | 873220400 | Nut Fin Hex 1/4-20 |
| 7 | 532007697 | Tube, Plastic |
| 8 | 532124886 | Tray, Battery |
| 9 | 532109596 | Clamp, Hose |
| 10 | 532145211 | Bolt, Battery Frt. 1/4-20 x 7-1/2 Zinc |
| 11 | 532145209 | Holddown Battery Dash Mount |
| 12 | 532145769 | Nut Push Nylon 1/4" Battery Frt. |
| 19 | 810090400 | Washer, Lock 1/4 |
| 20 | 873350400 | Nut, Jam Hex 1/4-20 |
| 21 | 532136850 | Harness, Socket, Light w/4152 |
| 22 | 532004152 | Bulb, Light |
| 24 | 532004014 | Cable, Starter |
| 25 | 532146686 | Cable, Battery Red 4 Ga. w/16 Wire |
| 26 | 532108824 | Fuse |
| 28 | 532006408 | Cable, Ground |
| 29 | 532121305 | Switch, Plunger |
| 30 | 532144921 | Switch, Ign |
| 31 | 532140400 | Nut, Ignition Switch |
| 32 | 532141226 | Cover, Switch Key |
| 33 | 532140401 | Key |
| 34 | 532110712 | Switch, Light |
| 37 | 532109553 | Intlk Switch |
| 40 | 532147341 | Harness, Ign. |
| 41 | 817720408 | Screw 1/4-20 x 1/2 |
| 42 | 532131563 | Cover, Terminal Red |
| 43 | 532145673 | Solenoid |
| 46 | 532110940 | Meter, Hour |
| 47 | 817011008 | Screw #10-24 x 1/2 |
| 49 | 811151000 | Washer, Lock Internal Tooth 5/8 |
| 50 | 532140404 | Switch, PTO |
| 51 | 532140405 | Ring, Retainer, PTO |
| 61 | 532138101 | Light Pkg Asm |
| 62 | 532110143 | Bulb, Light Pkg. |

NOTE: All component dimensions given in U.S. inches
1 inch = 25.4 mm

REPAIR PARTS

TRACTOR - MODEL NUMBER GT200 (954002012A)

CHASSIS AND ENCLOSURES



REPAIR PARTS

TRACTOR - MODEL NUMBER GT200 (954002012A)

CHASSIS AND ENCLOSURES

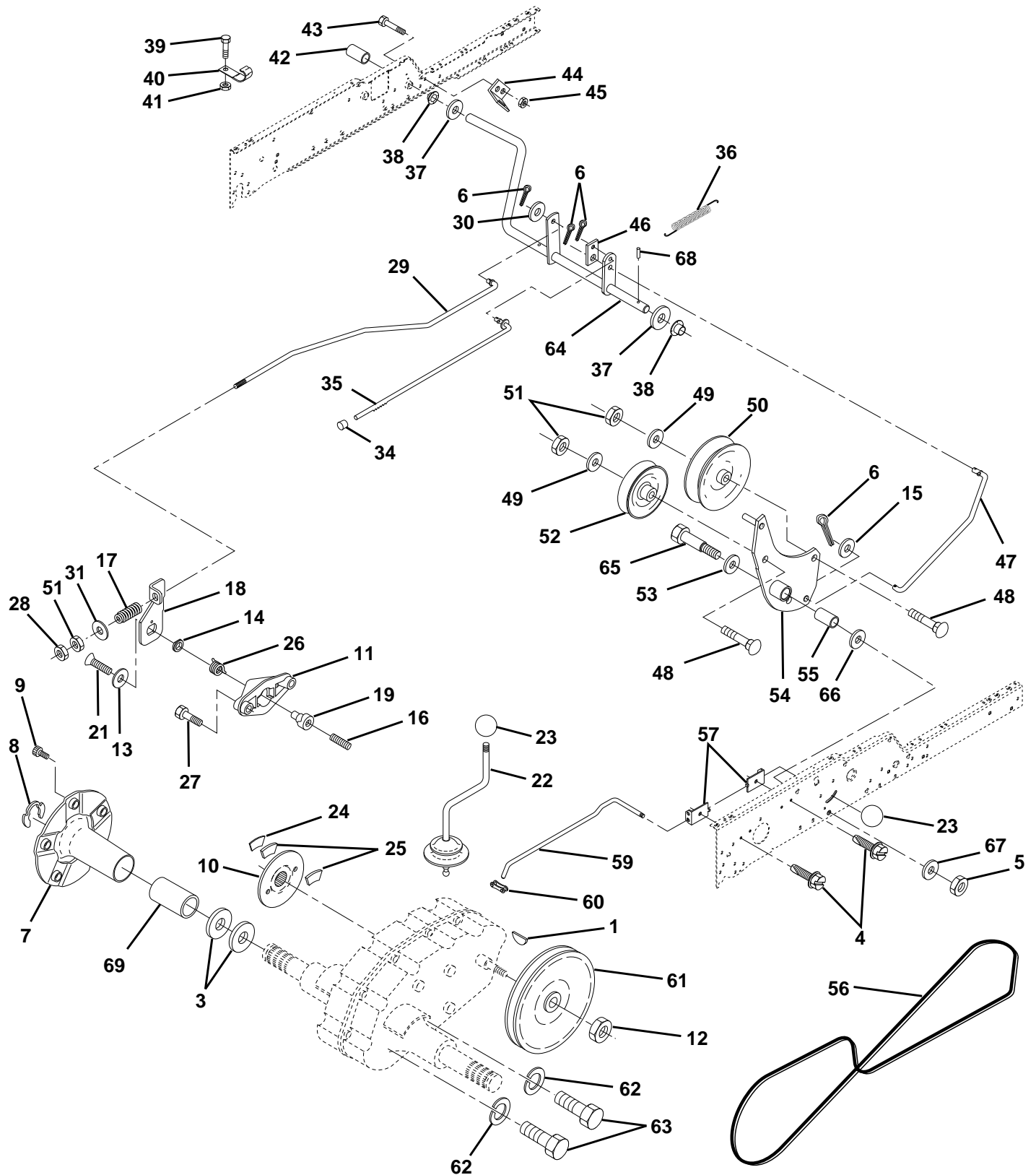
| KEY NO. | PART NO. | DESCRIPTION | KEY NO. | PART NO. | DESCRIPTION |
|---------|-----------|---------------------------------|---------|-----------|----------------------------------|
| 1 | 532144737 | Rail, Frame RH | 58 | 532137113 | Bracket Asm., Fender |
| 2 | 532140506 | Drawbar, Gt | 60 | 817490620 | Screw Thdrol 3/8-16 x 1-1/4 |
| 3 | 532143364 | Panel Asm., Side LH | 63 | 819131614 | Washer 13/32 x 3/4 x 14 Ga. |
| 4 | 873680700 | Nut, Crownlock 7/16-14 Unc | 65 | 532149577 | Strap, Asm. Hinge Front |
| 5 | 532140452 | Dash, Plastic Black | 67 | 532140737 | Guide, Belt |
| 6 | 532145053 | Dash 1-Pcs., Lower | 68 | 817490508 | Screw, Thdrol 5/16-18 x 1/2 |
| 7 | 817720408 | Screw, Thd Cut 1/4-20 x 1/2 | 70 | 532137159 | Guide, Belt Mid Span |
| 8 | 532145166 | Support, Battery | 72 | 874180512 | Screw, Mach Trhd 5/16-18 x 3/4 |
| 14 | 532125454 | Hood Asm., Pnt | 73 | 532406784 | Strap, Asm. Hinge Rear |
| 15 | 532124250 | Lens, Headlight LH | 74 | 874191008 | Screw, Machine #10-24 |
| 16 | 532121794 | Cover, Access | 75 | 810071000 | Washer, Lock #10 |
| 17 | 817490612 | Screw, Thdrol 3/8-16 x 3/4 | 76 | 532125004 | Nut, Weld #10-24 |
| 18 | 532127320 | Grille | 79 | 874981020 | Screw, Machine #10-24 x 1/4 |
| 19 | 819131312 | Washer 13/32 x 13/16 x 12 Ga. | 80 | 532007206 | Spacer, Split |
| 20 | 874760616 | Bolt, Fin Hex 3/8-16 x 1 | 81 | 819070818 | Washer 7/32 x 1/2 x 18 Ga. |
| 21 | 873680600 | Nut, Crownlock 3/8-16 Unc | 82 | 873731000 | Nut #10-24 |
| 22 | 532143365 | Panel Asm., Side RH | 84 | 532142992 | Stop, Over Center Mower |
| 23 | 817490616 | Screw, Thdrol. 3/8-16 x 1 Ty-Tt | 85 | 532144911 | Bracket, Support |
| 24 | 532147202 | Footrest, RH | 86 | 874760716 | Bolt, Fin Hex 7/16-14 Unc x 1 |
| 25 | 532124251 | Lens Headlight RH | 88 | 810040700 | Washer, Lock Hvy Hld Sp 7/16 |
| 27 | 873220400 | Nut, Fin Hex 1/4-20 | 90 | 811050600 | Washer, Lock External Tooth 3/8 |
| 28 | 532127203 | Footrest, LH | 91 | 532144735 | Rail, Frame Lh |
| 29 | 532145205 | Bracket, Support Dash | 92 | 532141626 | Plate, Silkscreen Dash |
| 30 | 532148411 | Saddle | 94 | 532100207 | Clip, Fuel Line |
| 31 | 532145183 | Bracket, Support Steering | 95 | 532105531 | Push Nut, Nylon |
| 32 | 532141315 | Bracket Asm., Frame Pivot Lh | 106 | 532138776 | Bolt 5/16 - 18 Type TT |
| 33 | 532141314 | Bracket Asm., Frame Pivot Rh | 107 | 532109808 | Latch, Chute Blk |
| 34 | 532142131 | Bracket, Engine Support Rear | 108 | 532110356 | Cap, Snap Black |
| 35 | 819111116 | Washer 11/32 x 11/16 x 16 Ga. | 109 | 532110357 | Cap, Washer Snap |
| 36 | 874780512 | Bolt, Fin Hex 5/16-18 x 3/4 | 110 | 532140625 | Support Asm. Grille |
| 37 | 532124927 | Fender, Pnt. | 111 | 532127316 | Retainer |
| 38 | 810040400 | Washer, Lock 1/4 | 113 | 532123198 | Nut, Plastic Locking Wing 1/4-20 |
| 39 | 532136961 | Bracket, Axle Front | 114 | 872140610 | Bolt, Carriage 3/8-16 x 1-1/4 |
| 40 | 532142132 | Bracket, Support Axle/Engine | 115 | 532141460 | Bumper Asm. |
| 43 | 532136939 | Bracket, Spnsn Front Lh | 116 | 532141461 | Bracket, Extension, Bumper |
| 44 | 532136940 | Bracket, Spnsn Front Rh | 117 | 532143679 | Plug, Plastic |
| 45 | 532138460 | Bracket Asm., Susp Chassis Rh | 118 | 819131316 | Washer 13/32 x 13/16 x 16 Ga. |
| 46 | 819091216 | Washer 9/32 x 3/4 x 16 Ga. | 119 | 873680600 | Nut Crownlock 3/8-16 UNC |
| 47 | 817490608 | Screw Thdrol 3/8-16 x 1/2 | 120 | 819131616 | Washer 13/32 x 1 x 16 Ga. |
| 50 | 532136575 | Bracket, Chassis Front | 123 | 532123481 | Bolt Shoulder 1/4-20 |
| 52 | 873800500 | Locknut, Hex W/Ins 5/16-18 Unc | 124 | 873800400 | Nut, Lock W/Ins 1/4-20 |
| 54 | 873510500 | Nut 5/16-18 | -- | 532125085 | Plug, Hole |
| 56 | 532138461 | Bracket Asm., Susp Chassis Lh | | | |
| 57 | 532108067 | Nut, Pal | | | |

NOTE: All component dimensions given in U.S. inches
1 inch = 25.4 mm

REPAIR PARTS

TRACTOR - MODEL NUMBER GT200 (954002012A)

GROUND DRIVE



REPAIR PARTS

TRACTOR - MODEL NUMBER GT200 (954002012A)

GROUND DRIVE

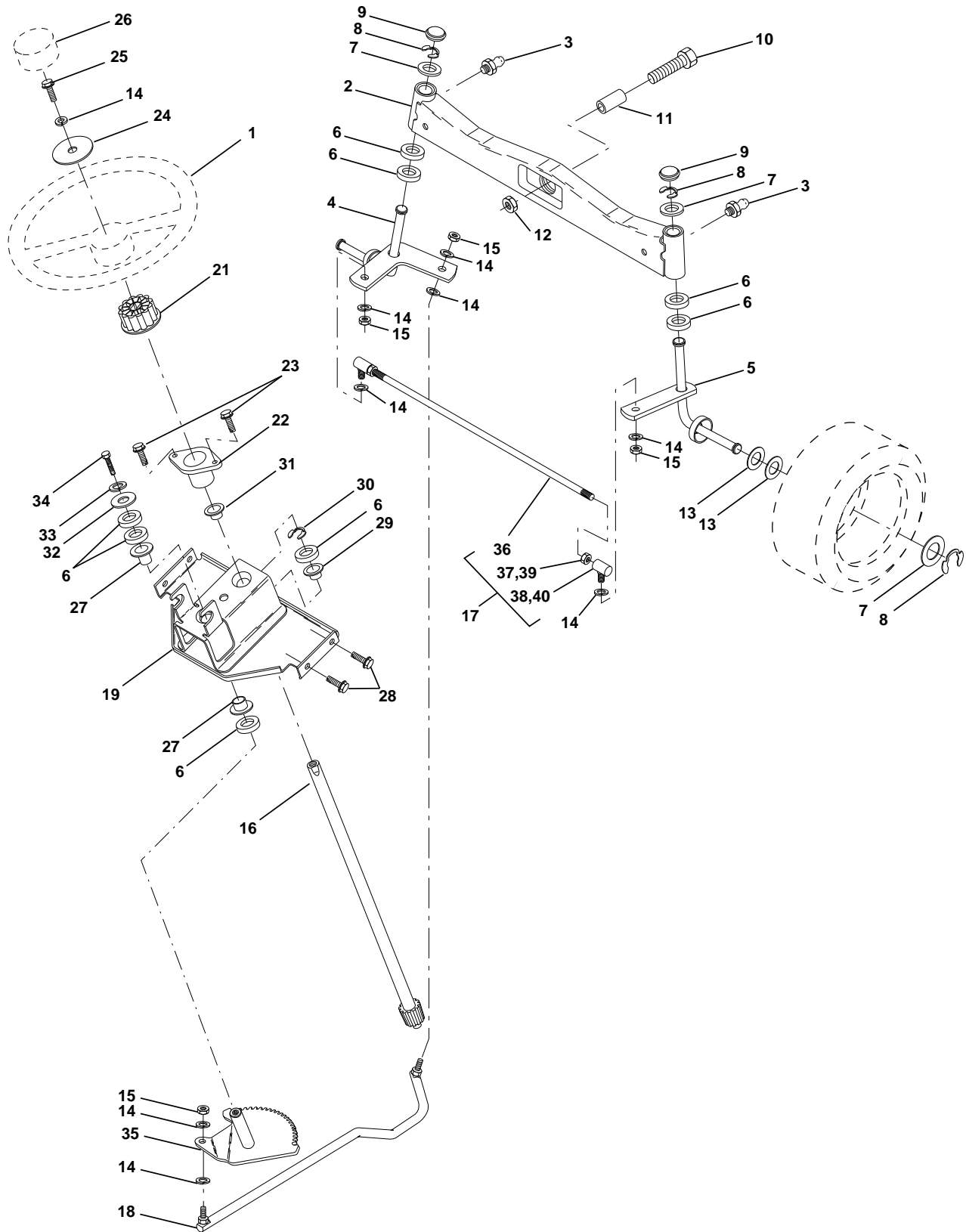
| KEY NO. | PART NO. | DESCRIPTION | KEY NO. | PART NO. | DESCRIPTION |
|---------|-----------|-----------------------------------|---------|-----------|-----------------------------------|
| 1 | 532124708 | Key Woodruff | 38 | 532110895 | Nyliner |
| 3 | 532007563 | Washer Thrust Axle Harden | 39 | 874321016 | Screw Fin #10-24 x 1 |
| 4 | 817490508 | Screw Thdrol 5/16-18 x 1/2 TYT | 40 | 532005304 | Actuator Interlock Switch |
| 5 | 873680600 | Nut Crownlock 3/8-16 | 41 | 873631000 | Nut Lock #10-24 |
| 6 | 876020412 | Pin Cotter 1/8 x 3/4 | 42 | 532123533 | Cover Pedal |
| 7 | 532149176 | Wheel Hub Asm. | 43 | 874760412 | Bolt Hex Head 1/4-20 x 3/4 |
| 8 | 812000034 | Ring Klip | 44 | 532104601 | Bracket Interlock |
| 9 | 532140080 | Bolt Hub | 45 | 873800400 | Nut Lock W/Insert 1/4-20 |
| 10 | 532142509 | Disc Brake | 46 | 532145170 | Retainer Spring |
| 11 | 532136927 | Yoke Brake Disc | 47 | 532138228 | Clutch Rod |
| 12 | 532009204 | Locknut 1/2-20 | 48 | 872110614 | Bolt Carriage 3/8-16 x 1-3/4 Gr 5 |
| 13 | 532139419 | Washer Special | 49 | 819131413 | Washer 13/32 x 7/8 x 13 Ga |
| 14 | 532138901 | Bushing | 50 | 532131494 | Pulley Idler Flat |
| 15 | 819131316 | Washer 13/32 x 13/16 x 16 Ga | 51 | 873680600 | Nut, Crownlock 3/8-16 Unc |
| 16 | 532143012 | Set Screw 1/4-28 x 3/4 | 52 | 532139123 | Pulley Idler Grooved |
| 17 | 532126909 | Spring | 53 | 532000207 | Washer Hardened |
| 18 | 532137104 | Lever Brake | 54 | 532138390 | Clutch Arm Asm |
| 19 | 532136926 | Cam Brake Disc | 55 | 532105706 | Bearing, Idler |
| 21 | 823260412 | Screw Flat Head 1/4-28 x 3/4 | 56 | 532137153 | V-Belt |
| 22 | 532124863 | Gearshift Lever Assembly | 57 | 532141756 | Bracket Shift Rod Hi-Lo |
| 23 | 532121466 | Knob | 59 | 532122253 | Shift RodHi-Lo |
| 24 | 532136925 | Support Puck Brake | 60 | 532122268 | Spring Clip Connecting Link |
| 25 | 532136923 | Puck Brake Top | 61 | 532137524 | Pulley Transaxle |
| 26 | 532137552 | Spring Return | 62 | 810040700 | Washer Lock 7/16 |
| 27 | 817490528 | Screw Hex Wsh Thd 5/16-18 x 1-3/4 | 63 | 874760720 | Bolt Fin Hex 7/16-14 x 1-1/4 |
| 28 | 873350600 | Nut Hex Jam 3/8-16 | 64 | 532137649 | Shaft Clutch/Brake Pedal |
| 29 | 532137213 | Brake Rod | 65 | 532067609 | Bolt Shoulder |
| 31 | 819131616 | Washer 13/32 x 1 x 16 Ga | 66 | 532140296 | Washer Hardened |
| 34 | 532071673 | Cap Plunger | 67 | 819131312 | Washer 13/32 x 13/16 x 12 Ga. |
| 35 | 532137648 | Rod Parking Brake | 68 | 532005142 | Pin Roll |
| 36 | 532138364 | Spring Extension | 69 | 532136327 | Hub Cover |
| 37 | 532121749 | Washer 25/32 x 1-1/4 x 16 Ga | | | |

NOTE: All component dimensions given in U.S. inches
1 inch = 25.4 mm

REPAIR PARTS

TRACTOR - MODEL NUMBER GT200 (954002012A)

STEERING ASSEMBLY



REPAIR PARTS

TRACTOR - MODEL NUMBER GT200 (954002012A)

STEERING ASSEMBLY

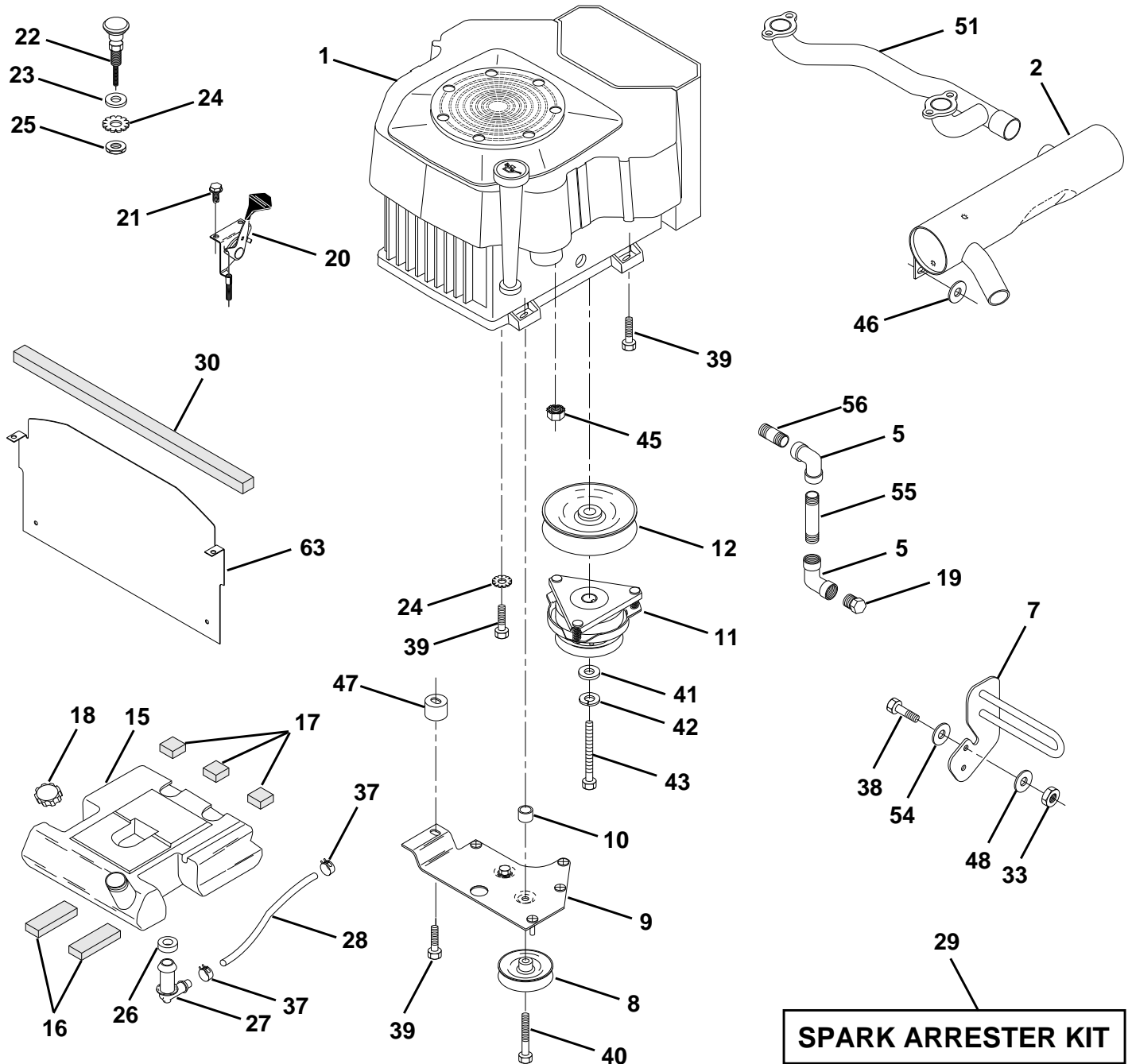
| KEY NO. | PART NO. | DESCRIPTION |
|---------|-----------|--|
| 1 | 532124415 | Wheel, Steering |
| 2 | 532137094 | Axle Asm., Front |
| 3 | 532124836 | Fitting, Grease |
| 4 | 532136960 | Spindle Asm, LH |
| 5 | 532136959 | Spindle Asm., RH |
| 6 | 532124956 | Bearing, Race Thrust Harden |
| 7 | 532121748 | Washer 25/32 x 1-5/8 x 16 Ga. |
| 8 | 812000029 | Ring, Klip #T5304-75 |
| 9 | 532121232 | Cap, Spindle |
| 10 | 874781044 | Bolt, Fin Hex 5/8-11 x 2-3/4 |
| 11 | 532136518 | Spacer, Brg. Axle Front |
| 12 | 873901000 | Nut, Lock Flange 5/8-11 Unc |
| 13 | 532121749 | Washer 25/32 x 1-1/4 x 16 Ga. |
| 14 | 810040600 | Washer, Lock Hvy Hlcl Spr 3/8 |
| 15 | 873610600 | Nut, Fin Hex 3/8-24 Unf |
| 16 | 532145103 | Shaft Asm., Steering |
| 17 | 532137347 | Rod Asm., Tie Ball J Ball Vgt (Inc. Key No. 36-40) |
| 18 | 532137155 | Draglink, Ball Joint Solid Vgt |
| 19 | 532146611 | Support Asm., Steering Vgt |
| 21 | 532100711 | Adapter, Wheel Steering |
| 22 | 532124720 | Bushing, Strg. Blk |
| 23 | 817431008 | Screw, Slftp #10-16 x 1/2 Ty-b |
| 24 | 819133808 | Washer 13/32 x 2-3/8 x 8 Ga. |
| 25 | 874780616 | Bolt, Fin Hex 3/8-16 x 1 Gr. 5 |
| 26 | 532124416 | Cap, Wheel Steering |
| 27 | 532124937 | Bearing, Col. Strg. |
| 28 | 817490612 | Screw Thdrol. 3/8-16 x 3/4 TY-TT |
| 29 | 532104239 | Bearing, Flange |
| 30 | 812000034 | Ring, Klip Truarc #5304-75 |
| 31 | 532138136 | Bushing, Nyliner Snap |
| 32 | 819111610 | Washer 11/32 x 1 x 10 Ga. |
| 33 | 810040500 | Washer, Lock Hvy Hlcl Spr 5/16 |
| 34 | 874760512 | Bolt, Hex Hd 5/16-18 x 3/4 |
| 35 | 532138059 | Gear, Sector Steering |
| 36 | 532137156 | Tie Rod |
| 37 | 873360600 | Jam Nut RH Thread |
| 38 | 532109850 | Joint Asm. Ball RH Thread |
| 39 | 873700600 | Jam Nut LH Thread |
| 40 | 532109851 | Joint Asm. Ball LH Thread |

NOTE: All component dimensions given in U.S. inches
1 inch = 25.4 mm

REPAIR PARTS

TRACTOR - MODEL NUMBER GT200 (954002012A)

ENGINE



REPAIR PARTS

TRACTOR - MODEL NUMBER GT200 (954002012A)

ENGINE

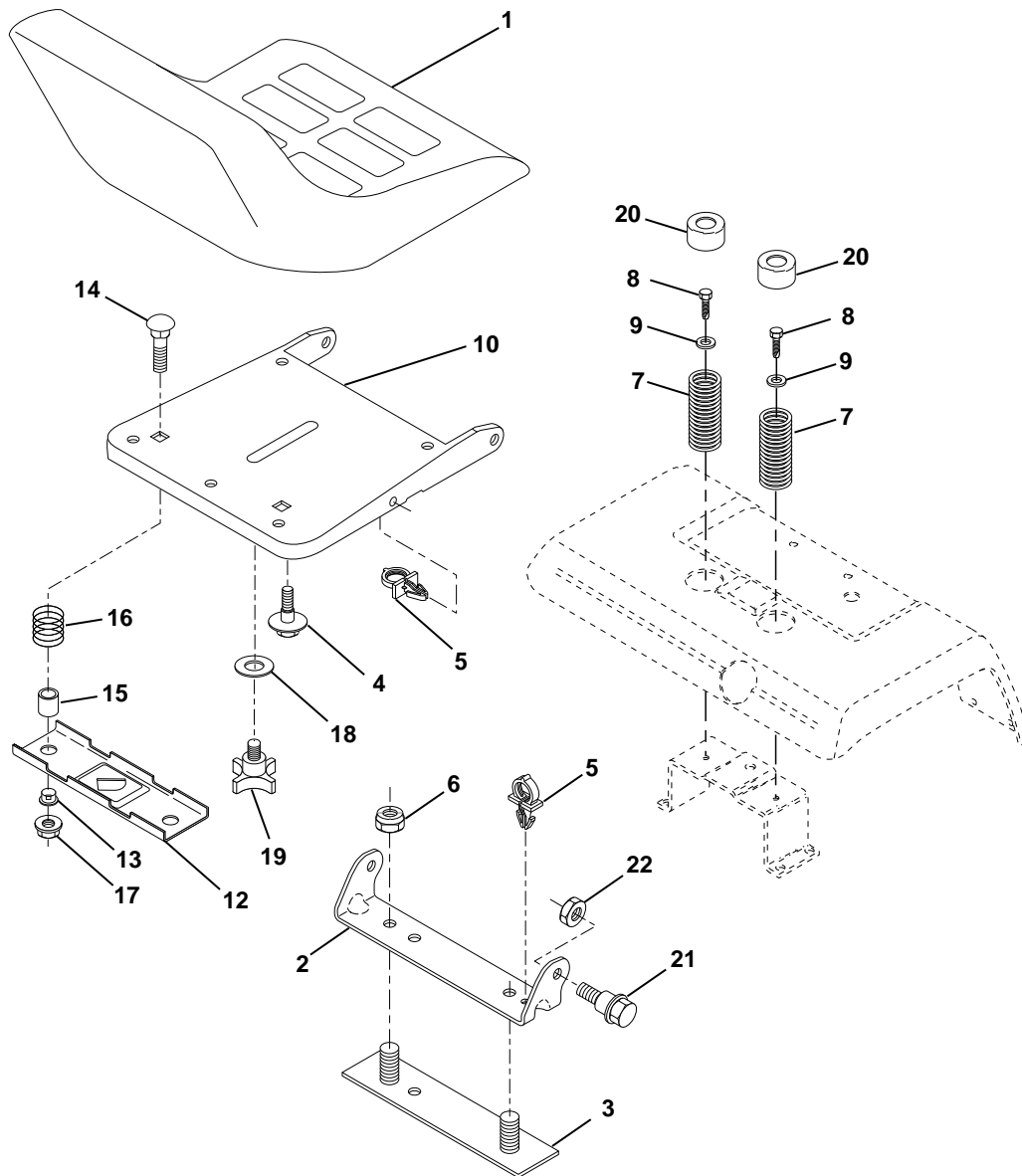
| KEY NO. | PART NO. | DESCRIPTION |
|---------|-----------|--|
| 1 | ----- | Engine Kohler, Model No. CV20S |
| 2 | 532144636 | Muffler VGT Cylinder |
| 5 | 813200300 | Elbow STD 90 Degree 3/8 - 18 NPT |
| 7 | 532143599 | Muffler Assembly Guard |
| 8 | 532121361 | Pulley V-Idler |
| 9 | 532145109 | Stop Keeper Asm VGT |
| 10 | 532105432 | Bushing |
| 11 | 532140923 | Clutch Electric |
| 12 | 532143996 | Pulley Engine VGT Elect Clutch |
| 15 | 532141069 | Tank Fuel W/Sym Vented |
| 16 | 532109227 | Pad Spacer |
| 17 | 532106082 | Pad Spacer |
| 18 | 532140527 | Cap Asm Fuel W/Sym Vented |
| 19 | 813290300 | Plug Oil Drain (Order From Engine Manufacturer) |
| 20 | 532132747 | Control Throttle |
| 21 | 817720410 | Screw Hex Thd Cut 1/4 - 20 X 5/8 |
| 22 | 532132781 | Control Choke |
| 23 | 819131316 | Washer 13/32 X 13/16 x 16 Ga |
| 24 | 811050600 | Washer Ext Tooth 3/8 |
| 25 | 873610600 | Nut Fin Hex 3/8 - 24 UNF |
| 26 | 532124952 | Bushing |
| 27 | 532139277 | Stem Tank Fuel |
| 28 | 532124703 | Fuel Line |
| 29 | 532132920 | Spark Arrester Kit |
| 30 | 532105037 | Strip Foam 18" |
| 33 | 873800600 | Nut, Hex W/Ins. 3/8-16 UNC |
| 37 | 532123487 | Clamp Hose |
| 38 | 874780624 | Bolt, Fin Hex 3/8-16 UNC x 1-1/2 |
| 39 | 817490636 | Screw TT 3/8-16 x 2-1/4 UNC |
| 40 | 817490664 | Screw TT 3/8-16 x 4 UNC |
| 41 | 532126197 | Washer 1-1/2 OD X 15/32 ID X .250 |
| 42 | 810040700 | Washer Lock 7/16 |
| 43 | 871170768 | Bolt Hex 7/16-20 X 4-1/4 Ga 5 |
| 45 | 532128861 | Nut, Flange 1/4-20 Starter Nut |
| 46 | 819131616 | Washer 13/32 x 1 x 16 Ga. |
| 47 | 532142040 | Spacer Engine CV22 Round PM |
| 48 | 819132007 | Washer 13/32 x 1-1/4 x 7 Ga. |
| 51 | 532140787 | Pipe Crossover CV22 |
| 54 | 819131414 | Washer Flat 13/32 x 7/8 x 14 Ga. |
| 55 | 813090336 | Nipple, Pipe 3/8 N.P.T. x 4-1/2 |
| 56 | 813090308 | Nipple, Pipe 3/8 NPT x 1.00 |
| 63 | 532145549 | Shield, Heat VGT 22 HP YP/Husq. |

NOTE: All component dimensions given in U.S. inches
1 inch = 25.4 mm

REPAIR PARTS

TRACTOR - MODEL NUMBER GT200 (954002012A)

SEAT ASSEMBLY



| KEY NO. | PART NO. | DESCRIPTION |
|---------|-----------|------------------------------|
| 1 | 532141525 | Seat |
| 2 | 532140551 | Bracket, Pivot Seat |
| 3 | 532140675 | Strap, Fender |
| 4 | 532127018 | Bolt, Shoulder 5/16-18 X .62 |
| 5 | 532145006 | Clip, Push In Hinged |
| 6 | 873800600 | Locknut 3/8-16 Unc |
| 7 | 532124181 | Spring, Seat Cprsn |
| 8 | 817490508 | Screw, Thdrol 5/16-18 X 1/2 |
| 9 | 819131614 | Washer 13/32 X 1 X 14 Ga. |
| 10 | 532140552 | Pan, Seat |
| 12 | 532121246 | Bracket, Mounting Switch |
| 13 | 532121248 | Bushing, Snap |

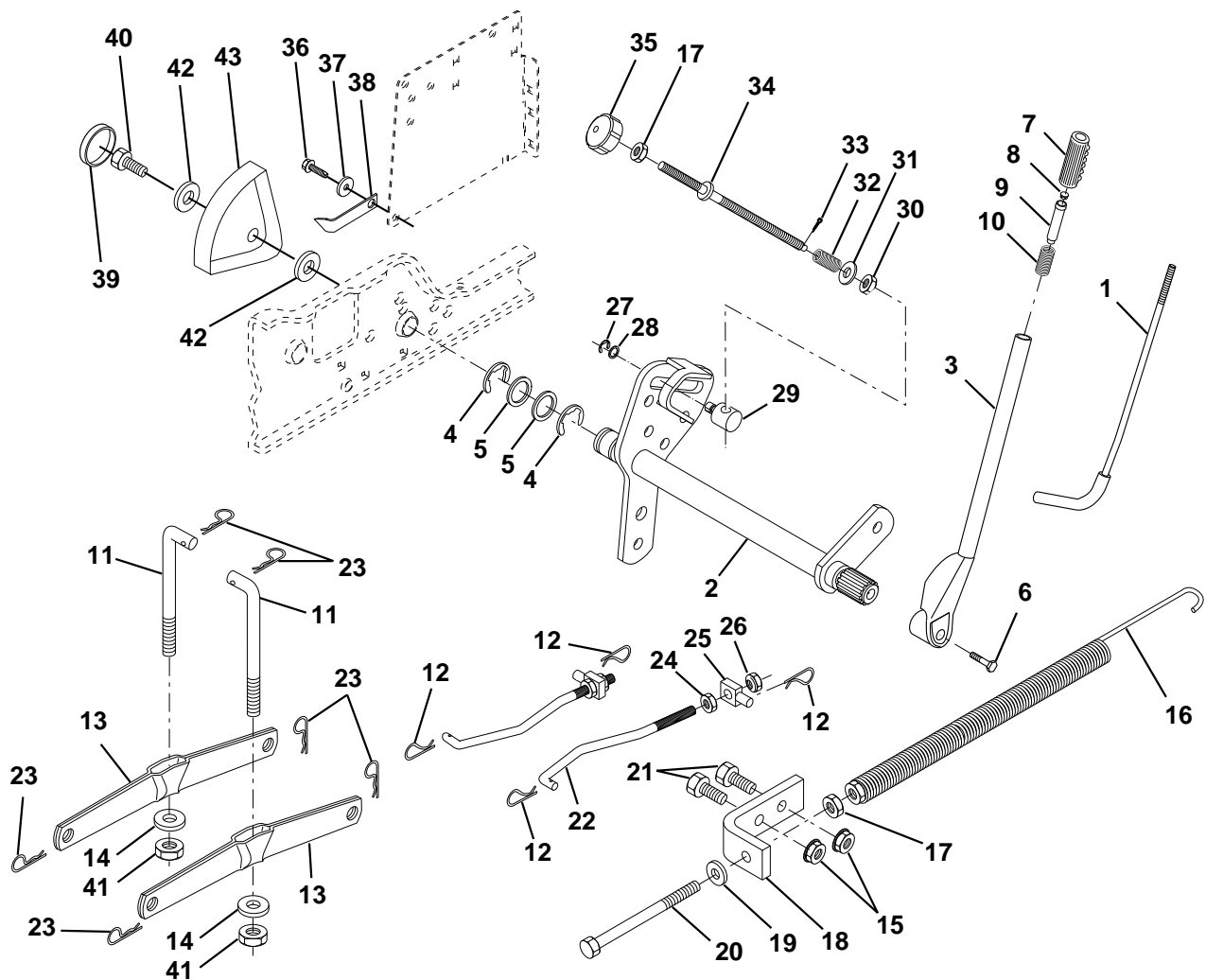
| KEY NO. | PART NO. | DESCRIPTION |
|---------|-----------|--------------------------------|
| 14 | 872050411 | Bolt, Carriage 1/4-20 X 1-3/8 |
| 15 | 532121249 | Spacer, Split |
| 16 | 532123740 | Spring, Cprsn |
| 17 | 532123976 | Nut, Lock 1/4 Lge Flg Gr. 5 |
| 18 | 819171912 | Washer 17/32 X 1-3/16 X 12 Ga. |
| 19 | 532120068 | Knob, Seat 1/2-13 Unc |
| 20 | 532124238 | Cap, Spring Seat |
| 21 | 532139888 | Bolt, Shoulder 5/16-18 Unc |
| 22 | 873680500 | Nut, Crownlock 5/16-18 Unc |

NOTE: All component dimensions given in U.S. inches
1 inch = 25.4 mm

REPAIR PARTS

TRACTOR - MODEL NUMBER GT200 (954002012A)

MOWER LIFT



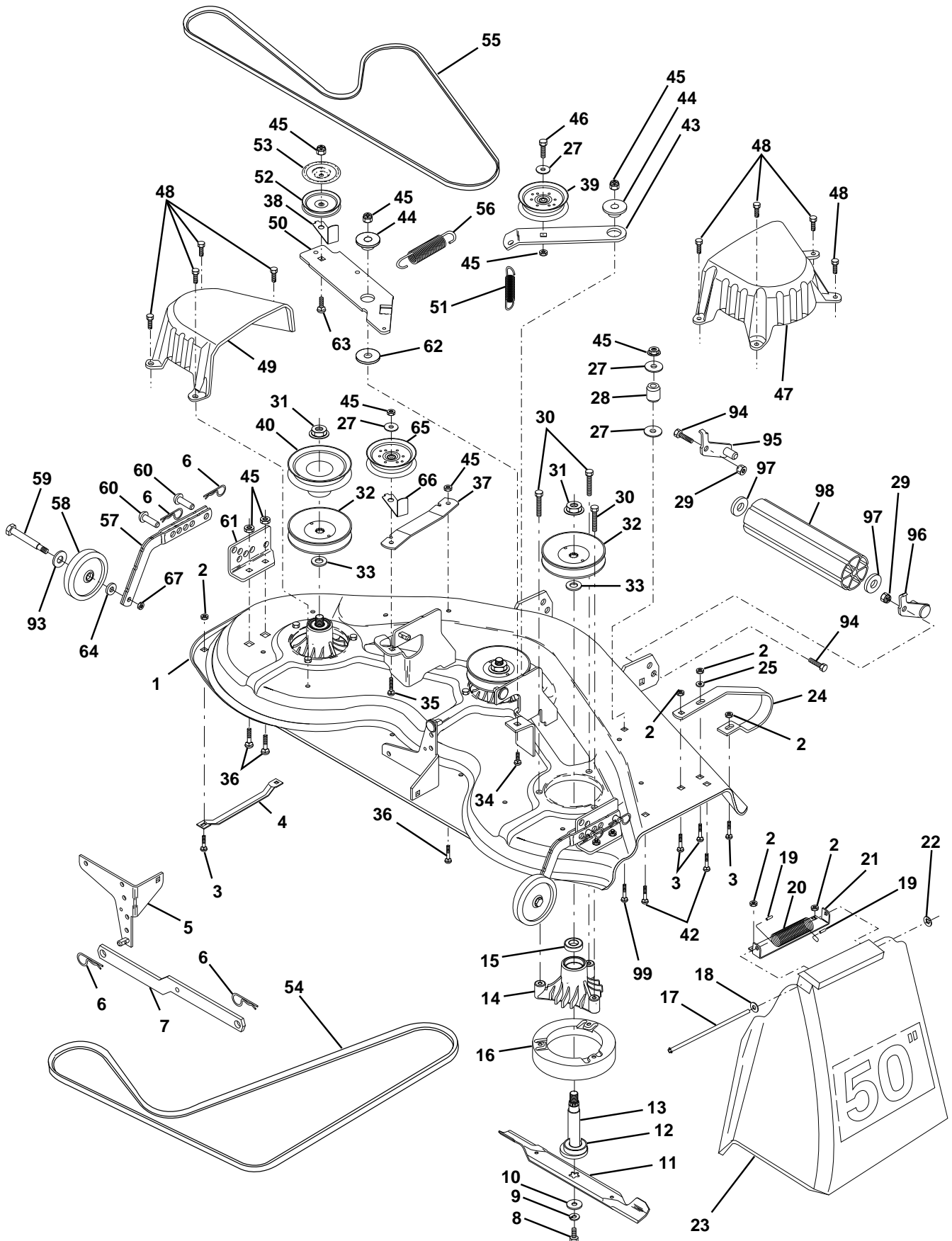
| KEY NO. | PART NO. | DESCRIPTION | KEY NO. | PART NO. | DESCRIPTION |
|---------|-----------|-------------------------------|---------|-----------|--------------------------------|
| 1 | 532121006 | Rod Asm., Lever | 24 | 873350800 | Nut, Jam Hex 1/2-13 Unc |
| 2 | 532145542 | Shaft Asm., Lift Vgt | 25 | 532130171 | Trunnion |
| 3 | 532121002 | Lever Asm., Lift Rh | 26 | 873800800 | Nut, Lock W/Wsh 1/2-13 Unc |
| 4 | 812000022 | E-Ring Truarc #5133-87 | 27 | 812000037 | Ring, Klip #T5304-37 |
| 5 | 819292016 | Washer 29/32 x 1-1/4 x 16 Ga. | 28 | 819151216 | Washer 15/32 x 3/4 x 16 Ga. |
| 6 | 874780624 | Bolt, Fin Hex 3/8-16 x 1-1/2 | 29 | 532110810 | Trunnion, Dp Stop Dbl Thds Plt |
| 7 | 532125631 | Grip, Handle Fluted | 30 | 532110807 | Nut, Special |
| 8 | 532124526 | Button, Plunger | 31 | 819131016 | Washer 13/32 x 5/8 x 16 Ga. |
| 9 | 532122364 | Plunger, Lever Lift | 32 | 532137150 | Spring, Compression Inf Hgt |
| 10 | 532124874 | Spring 2-1/8" | 33 | 876020308 | Pin, Cotter 3/32 x 1/2 |
| 11 | 532146704 | Link Lift | 34 | 532137167 | Rod, Adj Lift |
| 12 | 532124660 | Retainer, Spring | 35 | 532138057 | Knob, Inf 3/8-16 Unc |
| 13 | 532139868 | Arm, Suspension Vgt | 36 | 817490612 | Screw, Thdrol 3/8-16 x 3/4 |
| 14 | 532140302 | Bearing | 37 | 532120529 | Washer, Nylon |
| 15 | 873680600 | Nut, Crownlock 3/8-16 Unc | 38 | 532138346 | Pointer, Ntl Height Indicator |
| 16 | 532124687 | Spring Asm., Assist Lift | 39 | 532123935 | Plug, Hole |
| 17 | 873350600 | Nut, Hex Jam 3/8-16 Unc | 40 | 817490512 | Screw Thdrol. 5/16-18 x 3/4 |
| 18 | 532143363 | Bracket, Spring Assist | 41 | 873540600 | Nut, Crownlock 3/8-24 |
| 19 | 819131316 | Washer 13/32 x 13/16 x 16 Ga. | 42 | 819112410 | Washer 11/32 x 1-1/2 x 10 Ga. |
| 20 | 532005328 | Bolt, Adjust Spring Assist | 43 | 532123934 | Scale, Indicator Height |
| 21 | 874760616 | Bolt, Fin Hex 3/8-16 x 1 | | | |
| 22 | 532127218 | Link, Front | | | |
| 23 | 532124670 | Retainer, Spring | | | |

NOTE: All component dimensions given in U.S. inches
1 inch = 25.4 mm

REPAIR PARTS

TRACTOR - MODEL NUMBER GT200 (954002012A)

MOWER DECK



REPAIR PARTS

TRACTOR - MODEL NUMBER GT200 (954002012A)

MOWER DECK

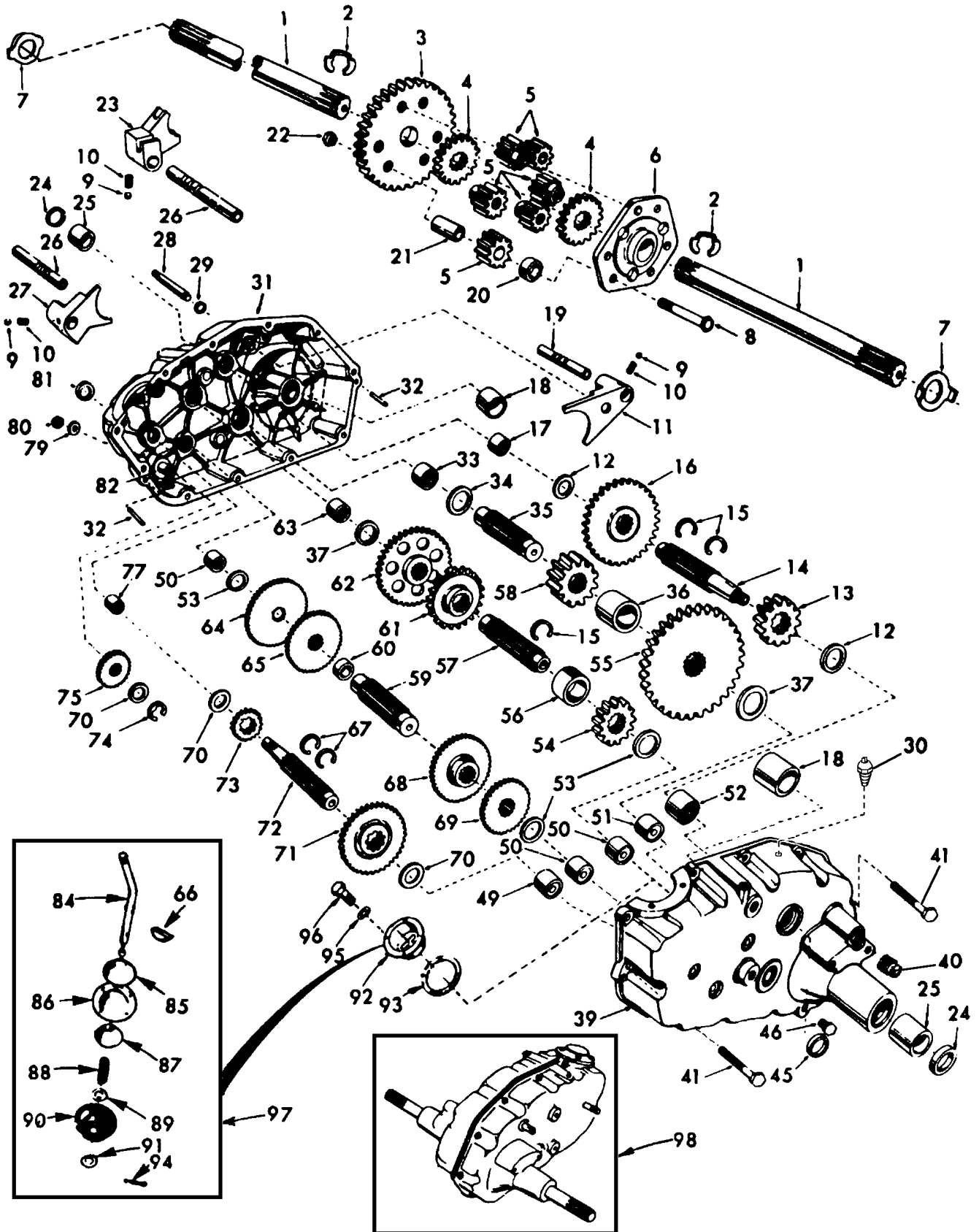
| KEY NO. | PART NO. | DESCRIPTION | KEY NO. | PART NO. | DESCRIPTION |
|---------|-----------|---|---------|-----------|---|
| 1 | 532136457 | Deck Asm., Mower 50" Vented | 42 | 872140506 | Bolt, Carriage 5/16-18 Unc x 3/4 |
| 2 | 873680500 | Nut, Crownlock 5/16-18 | 43 | 532136460 | Arm, Idler Secondary |
| 3 | 872110506 | Bolt, Carriage 5/16-18 x 3/4 | 44 | 532122052 | Spacer, Retainer |
| 4 | 532125074 | Runner, Mower LH | 45 | 873680600 | Nut, Crownlock 3/8-16 Unc |
| 5 | 532138457 | Bracket Asm., Sway Bar | 46 | 874760628 | Bolt, Fin Hex 3/8-16 Unc x 1-3/4 |
| 6 | 532124670 | Retainer, Spring | 47 | 532137200 | Cover, Mandrel RH |
| 7 | 532130832 | Arm Suspension, Rear | 48 | 532137729 | Screw, Thd Roll 1/4-20 x 5/8 |
| 8 | 532850857 | Bolt 3/8-24 x 1.25 Gr. 8 Patched | 49 | 532136574 | Cover, Mandrel LH |
| 9 | 810030600 | Washer, Lock Hvy 3/8 Unplated | 50 | 532137272 | Arm, Idler Primary |
| 10 | 532140296 | Washer, Hard Blade Mower Vented | 51 | 532137273 | Spring, Secondary |
| 11 | 532137380 | Blade (3 Required) | 52 | 532139245 | Pulley, Idler V Groove |
| 12 | 532129895 | Bearing, Ball #6204 (Mandrel) | 53 | 532137789 | Shield, Idler |
| 13 | 532137553 | Shaft Asm., W/Lower Brg (Includes Key No. 12) | 54 | 532139573 | V-Belt, Mower Primary |
| 14 | 532137152 | Housing, Mandrel 50" Vent | 55 | 532144959 | V-Belt, Mower Secondary |
| 15 | 532110485 | Bearing, Ball Mandrel | 56 | 532138687 | Spring, Primary |
| 16 | 532140329 | Stripper, Mower Vented | 57 | 532136577 | Bar Asm., Wheel Gauge |
| 17 | 532106735 | Rod, Hinge | 58 | 532105455 | Wheel, Gauge |
| 18 | 819111016 | Washer 11/32 x 5/8 x 16 Ga. | 59 | 532124842 | Bolt, Shoulder |
| 19 | 532105304 | Cap, Sleeve | 60 | 532139031 | Pin, Clevis |
| 20 | 532123713 | Spring, Torsion Deflector | 61 | 532136573 | Bracket, Wheel Gauge |
| 21 | 532137607 | Bracket, Deflector | 62 | 532133943 | Washer Hardened |
| 22 | 532110452 | Nut, Push | 63 | 872110612 | Bolt Carriage 3/8-16 x 1-1/2 |
| 23 | 532110509 | Shield, Deflector Mower | 64 | 819121414 | Washer 3/8 x 7/8 x 14 Ga. |
| 24 | 532136320 | Runner, RH | 65 | 532102403 | Pulley Idler Flat Mower |
| 25 | 819111216 | Washer 11/32 x 3/4 x 16 Ga. | 66 | 532139622 | Keeper, Belt Idler 50" Vent |
| 27 | 819131316 | Washer 13/32 x 13/16 x 16 Ga. | 67 | 873930600 | Nut, Center Lock 3/8-16 |
| 28 | 532132823 | Spacer, Spring Stop Idler | 93 | 819171512 | Washer 17/32 x 15/16 x 12 Ga. |
| 29 | 873800600 | Nut, Lock Hex W/Wsh 3/8-16 Unc | 94 | 874760616 | Bolt, Fin Hex 3/8-16 x 1 |
| 30 | 532138776 | Screw Thdrol Hex Head | 95 | 532132274 | Bracket, Asm. Noseroller LH |
| 31 | 532137266 | Nut, Flg Top Lock Cntr 9/16 | 96 | 532132273 | Bracket, Asm. Noseroller RH |
| 32 | 532129861 | Pulley, Mandrel | 97 | 819171416 | Washer 17/32 x 7/8 x 16 Ga. |
| 33 | 532129963 | Washer, Spacer Mower Vented | 98 | 532132264 | Roller, Nose |
| 34 | 872140610 | Bolt, Carriage 3/8-16 x 1-1/4 | 99 | 872110614 | Bolt, Carriage 3/8-16 x 1-3/4 Gr. 5 |
| 35 | 872110616 | Bolt, Carriage 3/8-16 x 2 | -- | 532143651 | Mandrel Asm - Service (Includes Key Nos. 8-10, 12-15, 31 and 33) |
| 36 | 872110608 | Bolt, Carriage 3/8-16 x 1 Gr. 5 | -- | 532141051 | Mower Asm - Service (Standard Deck - Order separately all gauge wheel and nose roller components) |
| 37 | 532137166 | Stiffener, Arm Idler | | | |
| 38 | 532137554 | Keeper, Belt Idler | | | |
| 39 | 532131494 | Pulley, Idler Flat | | | |
| 40 | 532136572 | Pulley, Driven | | | |

NOTE: All component dimensions given in U.S. inches
1 inch = 25.4 mm

REPAIR PARTS

TRACTOR - MODEL NUMBER GT200 (954002012A)

TRANSAXLE



REPAIR PARTS

TRACTOR - MODEL NUMBER GT200 (954002012A)

TRANSAXLE

| KEY PART NO. | NO. | DESCRIPTION | KEY PART NO. | NO. | DESCRIPTION |
|--------------|-----------|---|--------------|-----------|---|
| 1 | 532124662 | Axle Shaft | 52 | 532008119 | Needle Bearing |
| 2 | 812000034 | Retaining Ring | 53 | 532004220 | Thrust Bearing Race |
| 3 | 532004199 | Final Drive Gear | 54 | 532004209 | 3rd Reduction Pinion, Low |
| 4 | 532004216 | Differential Gear | 55 | 532124668 | 4th Reduction Gear |
| 5 | 532004215 | Differential Pinion | 56 | 532004442 | 3rd Reduction Pinion Spacer |
| 6 | 532004217 | Differential Carrier | 57 | 532004195 | 2nd Reduction Gear Shaft |
| 7 | 532124674 | Axle Thrust Washer | 58 | 532004214 | Final Drive Pinion |
| 8 | 874020652 | Bolt, Hex Head 3/8-24 x 3-1/4 (1" Thread Length) | 59 | 532004194 | 1st Reduction Gear Shaft |
| 9 | 532124697 | Steel Ball | 60 | 532007528 | 1st Reduction Shaft Spacer |
| 10 | 532137261 | Spring Shift Fork Detent | 61 | 532124666 | 3rd Reduction Pinion High |
| 11 | 532004985 | Shift Fork, High-Low Range | 62 | 532124665 | 2nd Reduction Gear |
| 12 | 532124931 | Thrust Bearing Race | 63 | 532007398 | Needle Bearing |
| 13 | 532124667 | 4th Reduction Pinion | 64 | 532124664 | Low Speed Gear and 2nd Reduction Pinion Cluster |
| 14 | 532137125 | 3rd Reduction Gear Shaft | 65 | 532004204 | Reverse Gear |
| 15 | 532124677 | Snap Ring, Crescent Type | 66 | 532002898 | Key, Hi-Pro 1/8 x 17/32 |
| 16 | 532124679 | High-Low Range Gears | 67 | 812000033 | Snap Ring, Crescent Type |
| 17 | 532008118 | Needle Bearing | 68 | 532004205 | Intermediate Speed Gear |
| 18 | 532124705 | Sintered Iron Bearing | 69 | 532125099 | High Speed Gear |
| 19 | 532122238 | Shift Fork Shaft, High-Low Range | 70 | 532001370 | Thrust Bearing Race |
| 20 | 532004218 | Differential Pinion Spacer | 71 | 532124681 | Intermediate and High Speed Cluster Pinions |
| 21 | 532124673 | Differential Pinion Bushing | 72 | 532139120 | Input Shaft |
| 22 | 532124701 | Gripco Centerlock Nut 3/8-24 | 73 | 532004201 | Low Speed Pinion |
| 23 | 532006262 | Shift Fork, R.H. | 74 | 812000008 | E-Ring |
| 24 | 532124698 | Oil Seal | 75 | 532001153 | Reverse Idler Gear |
| 25 | 532124709 | Sintered Iron Bearing | 77 | 532006803 | Needle Bearing |
| 26 | 532139111 | Shift Fork Shaft | 79 | 532001167 | Sealing Washer |
| 27 | 532004986 | Shift Fork, L.H. | 80 | 873360700 | Nut, Hex, Jam 7/16-20 |
| 28 | 532122254 | Shift Shaft, High-Low Range | 81 | 532124675 | Oil Seal |
| 29 | 532006269 | Oil Seal | 82 | 532136984 | Reverse Idler Shaft |
| 30 | 532005855 | Pressure Relief Valve | 84 | 532005384 | Gearshift Lever, Bent |
| 31 | 532139538 | Gearcase, Reverse Idler Shaft and Bearings, R.H. (Includes Key No.'s 17, 18, 25, 33, 50, 63, 77 and 82) | 85 | 532002978 | Gearshift Cap |
| 32 | 532006277 | Dowel Pin | 86 | 532124682 | Gearshift Ball Cover and Pin |
| 33 | 532004225 | Needle Bearing | 87 | 532124704 | Shift Lever Guide Ball, Keyed |
| 34 | 532007396 | Thrust Bearing Race | 88 | 532004924 | Spring |
| 35 | 532004198 | 4th Reduction Gear Shaft | 89 | 819151516 | Washer 15/32 x 15/16 x 16 Gauge |
| 36 | 532124663 | 4th Reduction Gear Spacer | 90 | 532110542 | Shift Mechanism Seal |
| 37 | 532007395 | Thrust Bearing Race | 91 | 819181511 | Washer 9/16 x 15/16 x 12 Gauge |
| 39 | 532139536 | Gearcase and Bearings, L.H. (Includes Key Numbers 18, 25, 49, 50 (2), 51 and 52) | 92 | 532000075 | Gearshift Gate and Reinforcement |
| 40 | 813320400 | Pipe Plug 1/2-14 N.P.T. | 93 | 532006274 | Shift Ball Cover Gasket |
| 41 | 817580520 | Bolt, Hex 5/16-18 UNC x 1-1/4 | 94 | 876020412 | Cotter Pin 1/8 x 3/4 |
| 45 | 532006271 | Oil Seal | 95 | 810040500 | Washer, Lock 5/16 |
| 46 | 813060200 | Pipe Plug 1/4-18 N.P.T. | 96 | 874760514 | Bolt, Hex Head 5/16-18 UNC x 7/8 |
| 49 | 532124792 | Needle Bearing | 97 | 532124863 | Gear Shift Lever Assembly |
| 50 | 532004222 | Needle Bearing | 98 | 532140332 | Transaxle, 6 Speed, Complete Assembly |
| 51 | 532001529 | Needle Bearing | | | |

NOTE: All component dimensions given in U.S. inches
1 inch = 25.4 mm